

LED High Bay Light

RSHB-Series



Create value for you

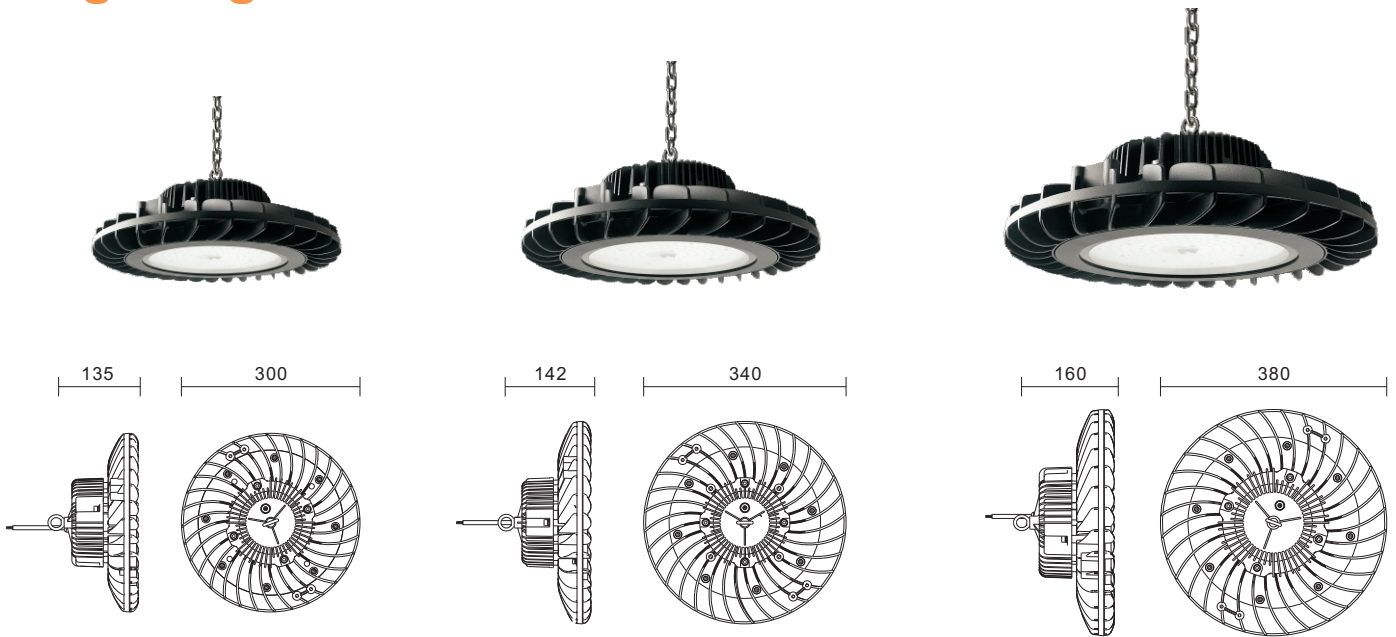
RSHB-Series

Overview

- Up to 130Lm/W system efficacy
- Configure smart system
- 1-10V/PWM/Resistance dimming options
- 110-277Vac, 3000-6500k, Ra:70/80
- Up to 20KV surge protection(optional)
- Tempered glass
- IP65&IK08 resistance



Lighting Dimensions



Dimensions of 100W,120W

Dimensions of 150W

Dimensions of 200W

Parameter

Product Model	Power	Product Size(mm)	N.W.	Carton Size(mm)	G.W.	Input Voltage	System Efficacy	Beam Angle
RSHB-100W-U	100W	300*300*135mm	3.6Kg	360*360*185mm	4.6Kg	110-277V	130Lm/W	120°
RSHB-120W-U	120W	300*300*135mm	3.6Kg	360*360*185mm	4.6Kg	110-277V	130Lm/W	120°
RSHB-150W-U	150W	340*340*142mm	4.0Kg	390*390*190mm	5.1Kg	110-277V	130Lm/W	120°
RSHB-200W-U	200W	380*380*160mm	5.4Kg	420*420*195mm	6.7Kg	110-277V	130Lm/W	120°