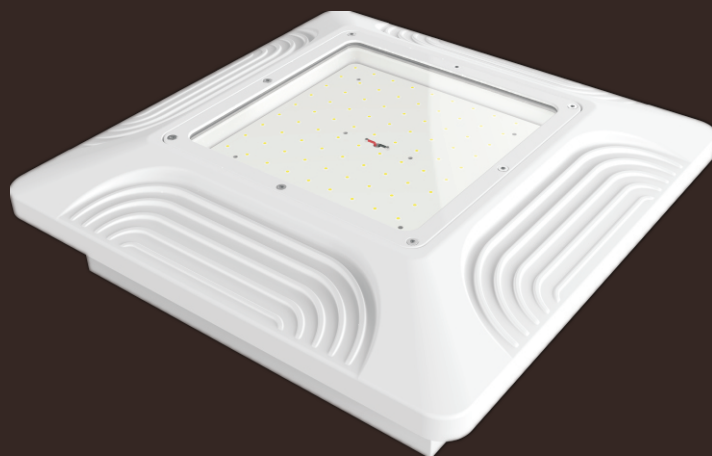


# LED Canopy Light

## RSCP-Series



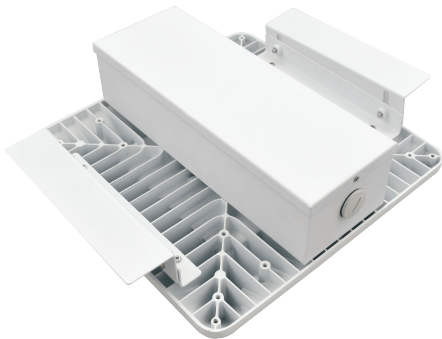
**Create value for you**

## Overview

- Up to 130Lm/W system efficacy
- 100W-150W, up to 500W replacement
- Specialized for gas station, office, church, etc.
- Supporting recessed or surface mount installation style
- Built-in smart system & photocell sensor available
- 1-10V/PWM/Resistance dimming options
- 110-277Vac/347Vac/480Vac, 3000-6500K, Ra:70/80
- Up to 20KV surge protection(optional)
- Tempered glass with high transmittance
- IP65&IK08 resistance



————— Type A - American recessed kit



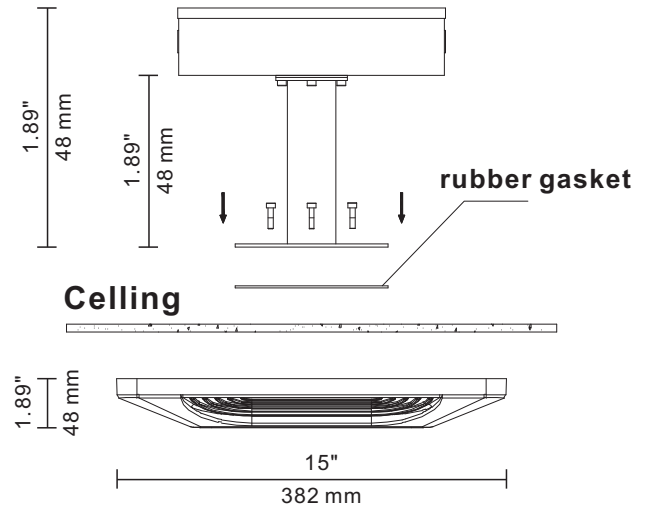
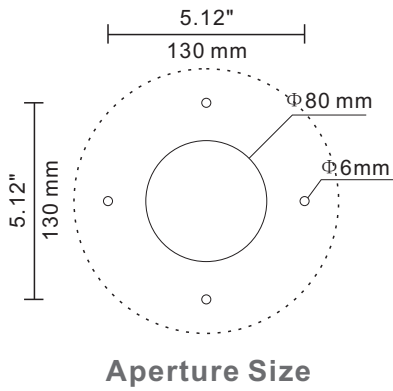
————— Type B - Common recessed kit



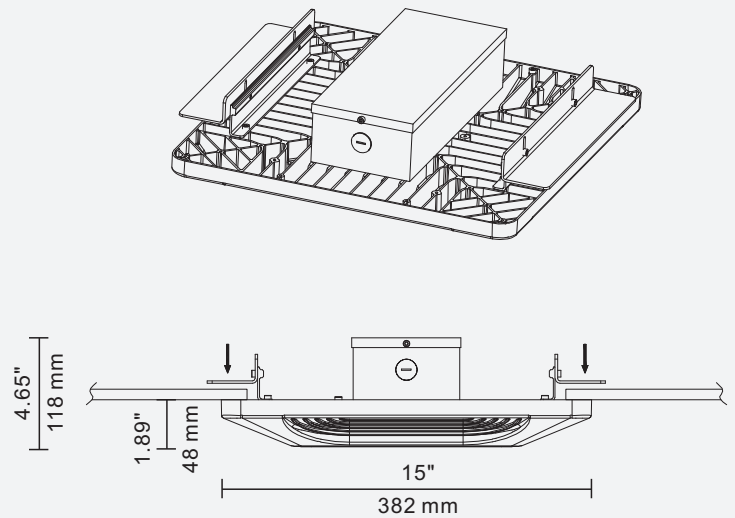
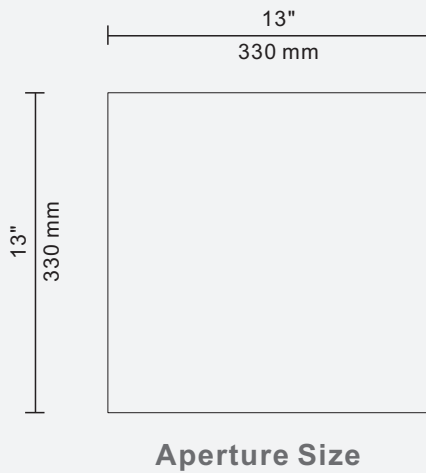
————— Type C - Surface mounted kit

# Instructions of 100W,120W,150W

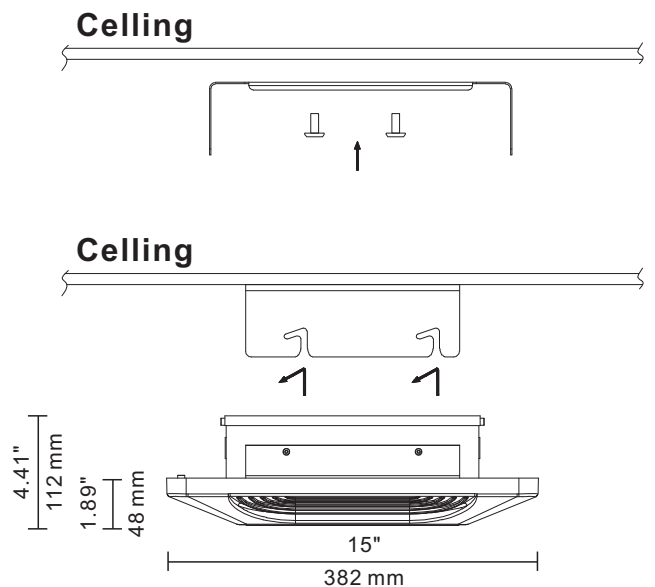
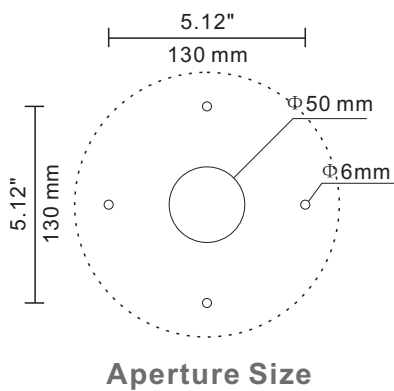
## Type A - American recessed kit



## Type B - Common recessed kit



## Type C - Surface mounted kit



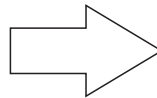
# RSCP-Series

## Overview

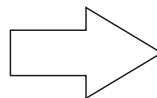
- Up to 120Lm/W system efficacy
- 28-90W, up to 70-400W replacement
- Built-in smart system & photocell sensor available
- 1-10V/PWM/Resistance dimming options
- 110-277Vac, 3000-6500K, Ra:70/80
- Up to 20KV surge protection(optional)
- Optical grade polycarbonate lens material
- IP65&IK08 resistance



## Replacement



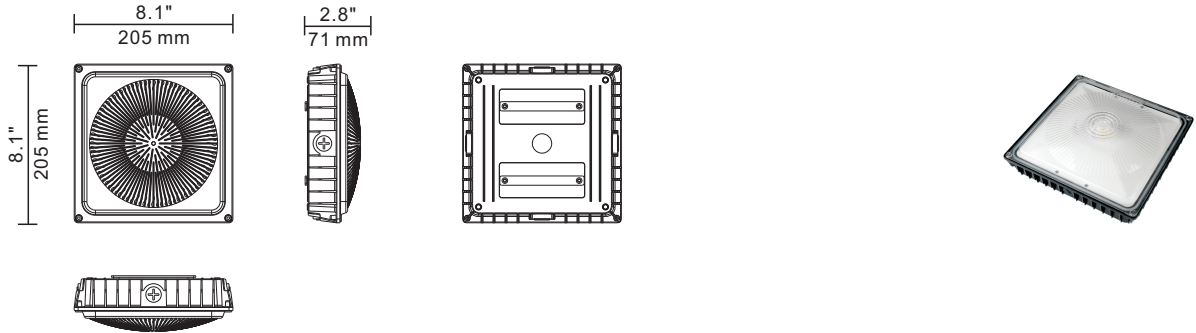
RSCP	28W
RSCP	45W
RSCP	70W
RSCP	90W



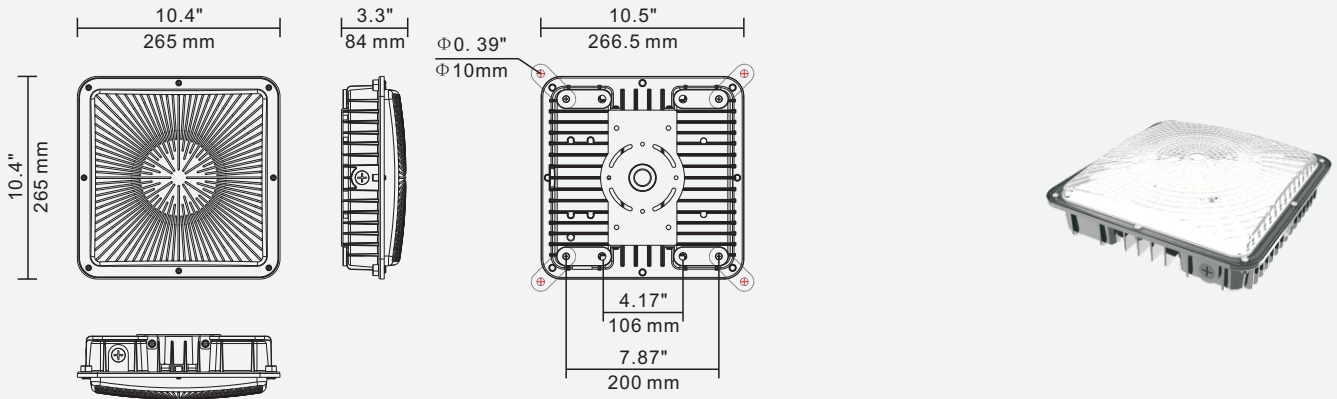
MH	70-100W
MH	125-150W
MH	175-225W
MH	250-400W

# Lighting Dimensions

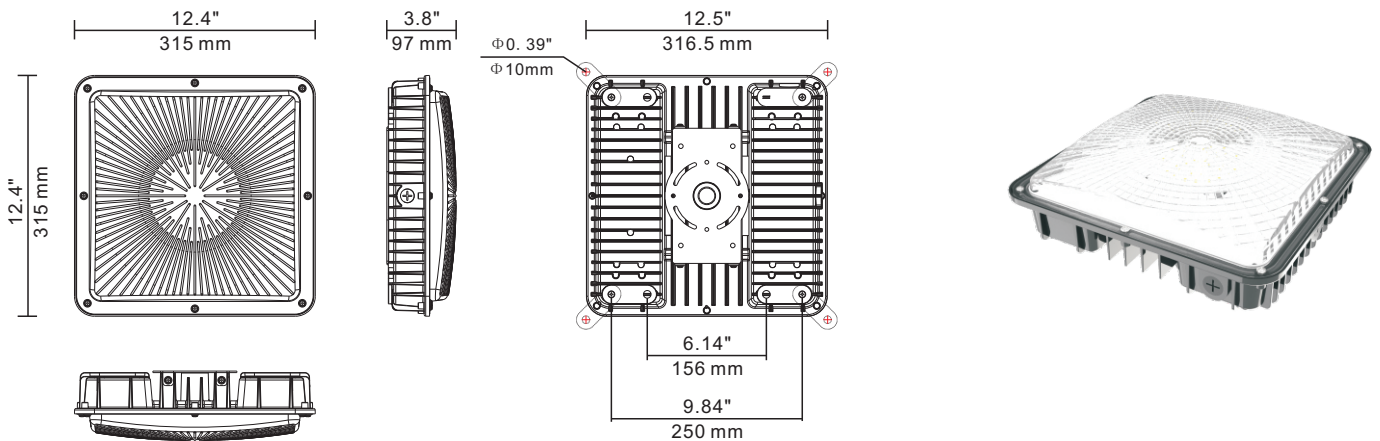
## Dimensions of 28W



## Dimensions of 45W,70W

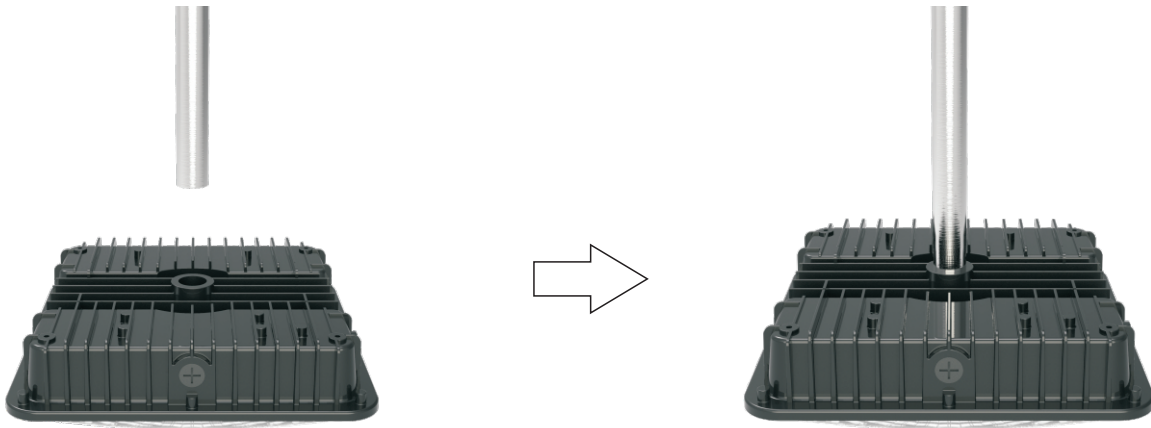


## Dimensions of 90W

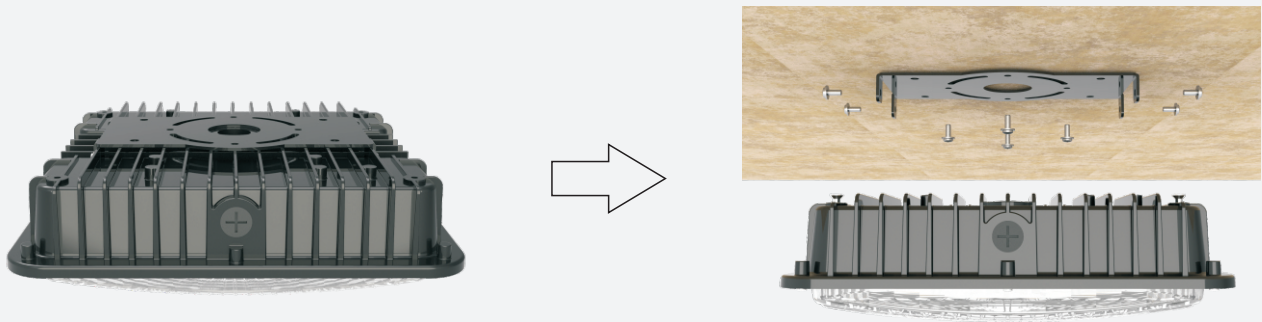


## Instructions

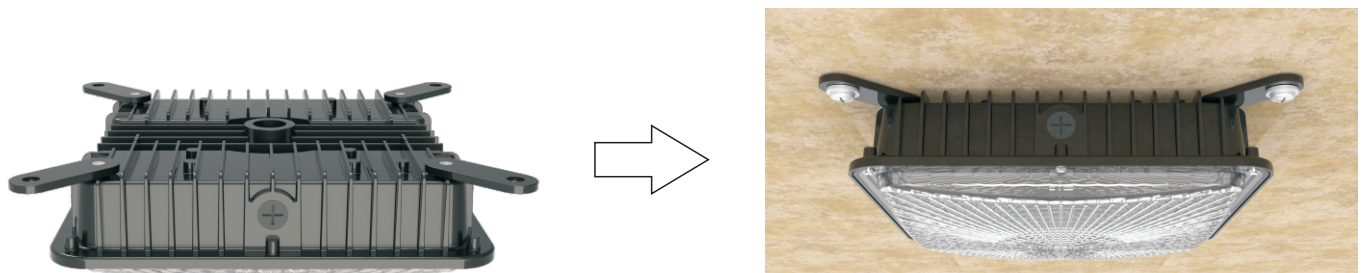
Type A - Pendent installation with 3/4" conduit



Type B - Surface mounted with J-BOX



Type C - Surface mounted



## Smart system



Microwave  
Sensor



PWM  
DC 0-10V



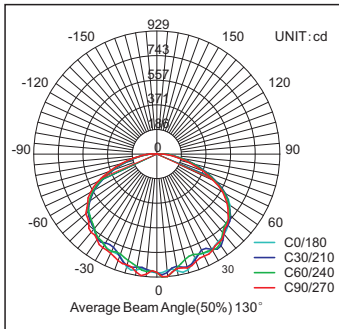
Daylight  
Harvesting



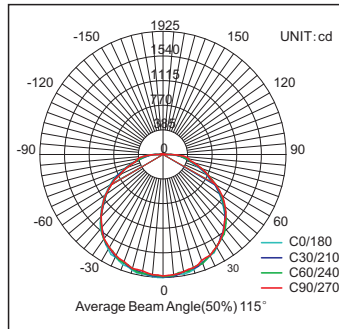
Photocell  
Control

## Illumination

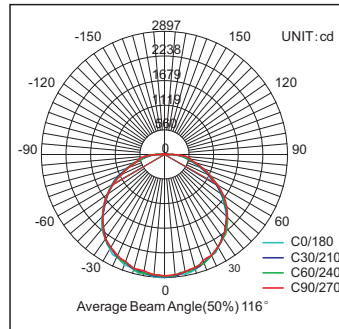
28W



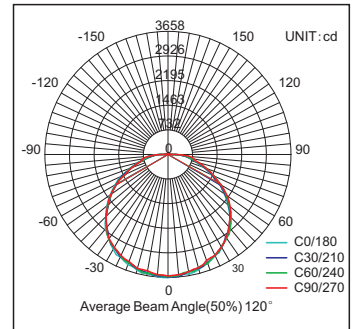
45W



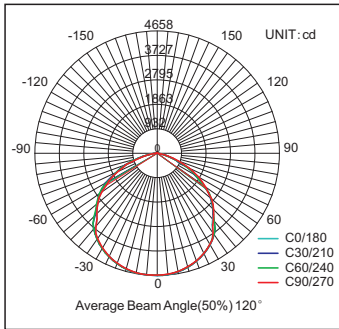
70W



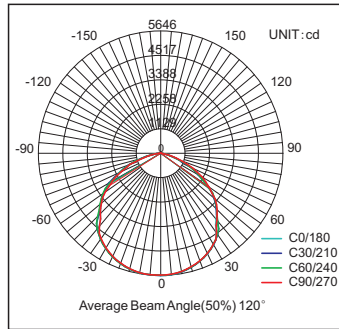
90W



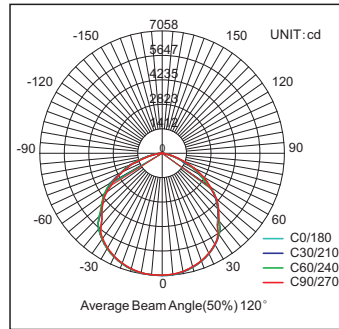
100W



120W



150W



## Parameter

Product Model	Power	Product Size(mm)	N.W.	Carton Size(mm)	G.W.	Input Voltage	System Efficacy	Beam Angle
RSCP-28W	28W	205*205*72mm	1.2Kg	240*240*110mm	1.6Kg	110-277V/277-480V	120Lm/W	T5 - 130°
RSCP-45W	45W	265*265*84mm	2.0Kg	310*310*130mm	2.8Kg	110-277V/277-480V	120Lm/W	T5 - 120°
RSCP-70W	70W	265*265*84mm	2.1Kg	310*310*130mm	2.9Kg	110-277V/277-480V	120Lm/W	T5 - 120°
RSCP-90W	90W	315*315*97mm	2.9Kg	360*360*140mm	3.9Kg	110-277V/277-480V	120Lm/W	T5 - 120°
RSCP-100W	100W	382*382*48mm	6.2Kg	440*440*215mm	7.3Kg	110-277V/277-480V	130Lm/W	T5 - 120°
RSCP-120W	120W	382*382*48mm	6.2Kg	440*440*215mm	7.3Kg	110-277V/277-480V	130Lm/W	T5 - 120°
RSCP-150W	150W	382*382*48mm	6.2Kg	440*440*215mm	7.3Kg	110-277V/277-480V	130Lm/W	T5 - 120°