

LED Barn Light

RSBL-Series



Create value for you

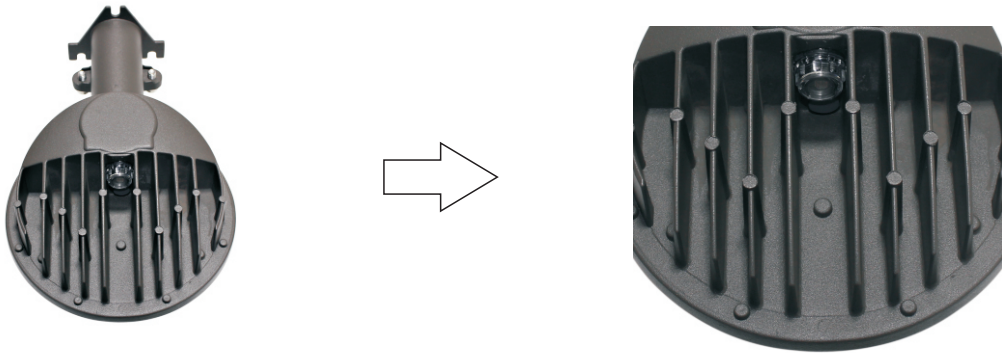
# RSBL-Series

## Overview

- Up to 120Lm/W system efficacy
- 35W/50W, up to 200W replacement
- Photocell sensor available
- 110-277Vac, 3000-6500k, Ra:70/80
- Up to 20KV surge protection
- Optical grade polycarbonate lens material
- IP65&IK08 resistance

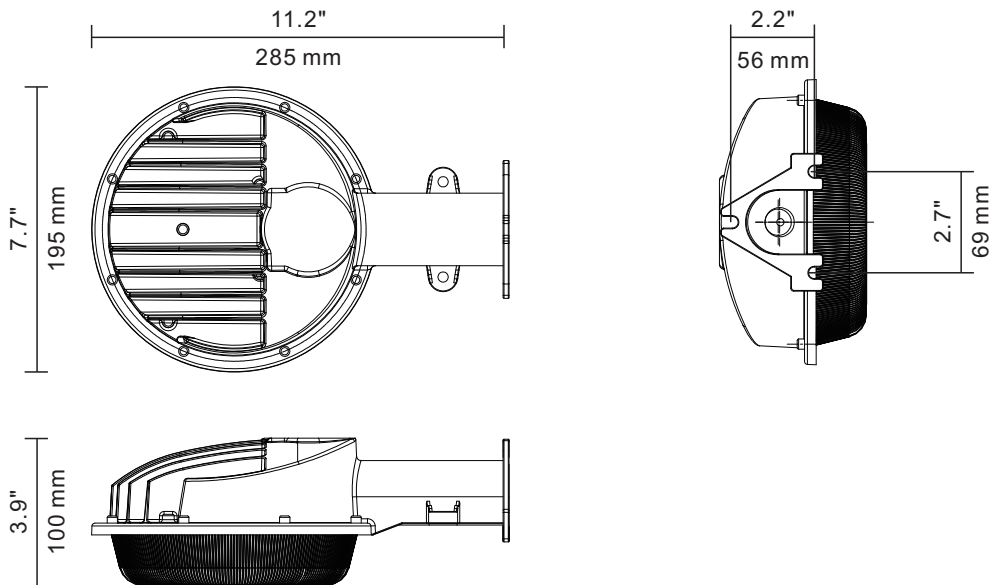


## Smart Design



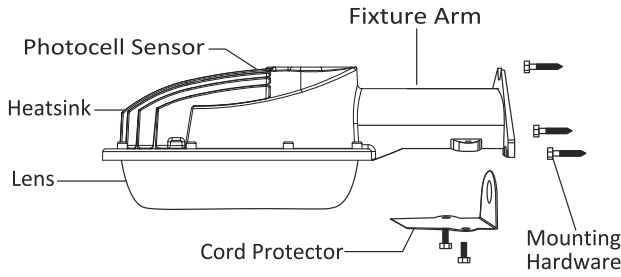
## Lighting Dimensions

Dimensions of 35W,50W

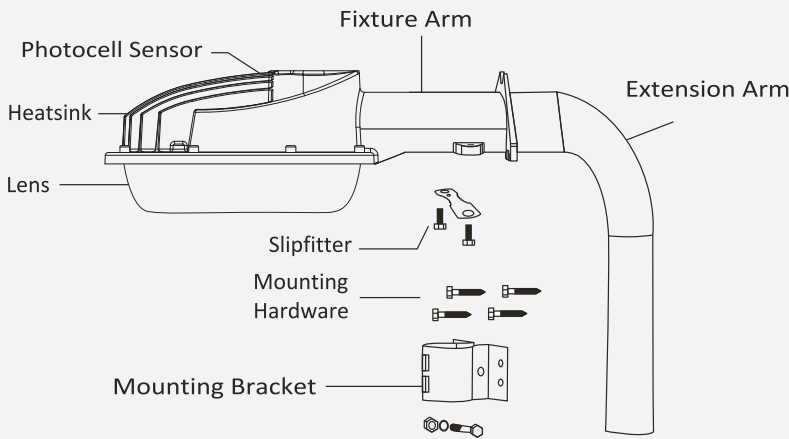


# Instructions

## Type A - Wall Mounting



## Type B - Arm mounting



# Packing

Installing Type	Model	Power	N.W.	Inner Box	Qty/ctn	G.W.	Outer Carton
Wall Mounting	RSBL-35W	35W	1.35Kg	300x200x110mm	6	9.3Kg	410x310x350mm
	RSBL-50W	50W	1.40Kg	300x200x110mm	6	9.6Kg	410x310x350mm

Installing Type	Model	Power	N.W.	Inner Box	Qty/ctn	G.W.	Outer Carton
Arm Mounting	RSBL-35W	35W	1.90Kg	—————	1	2.25Kg	430x260x145mm
	RSBL-50W	50W	1.95Kg	—————	1	2.30Kg	430x260x145mm

# Parameter

Product Model	Power	Product Size(mm)	N.W.	Carton Size(mm)	G.W.	Input Voltage	System Efficacy	Beam Angle
RSBL-35W	35W	285*195*100mm	1.35Kg	300*200*110mm	1.7Kg	110-277V	120Lm/W	T5-120°
RSBL-50W	50W	285*195*100mm	1.40Kg	300*200*110mm	1.75Kg	110-277V	120Lm/W	T5-120°